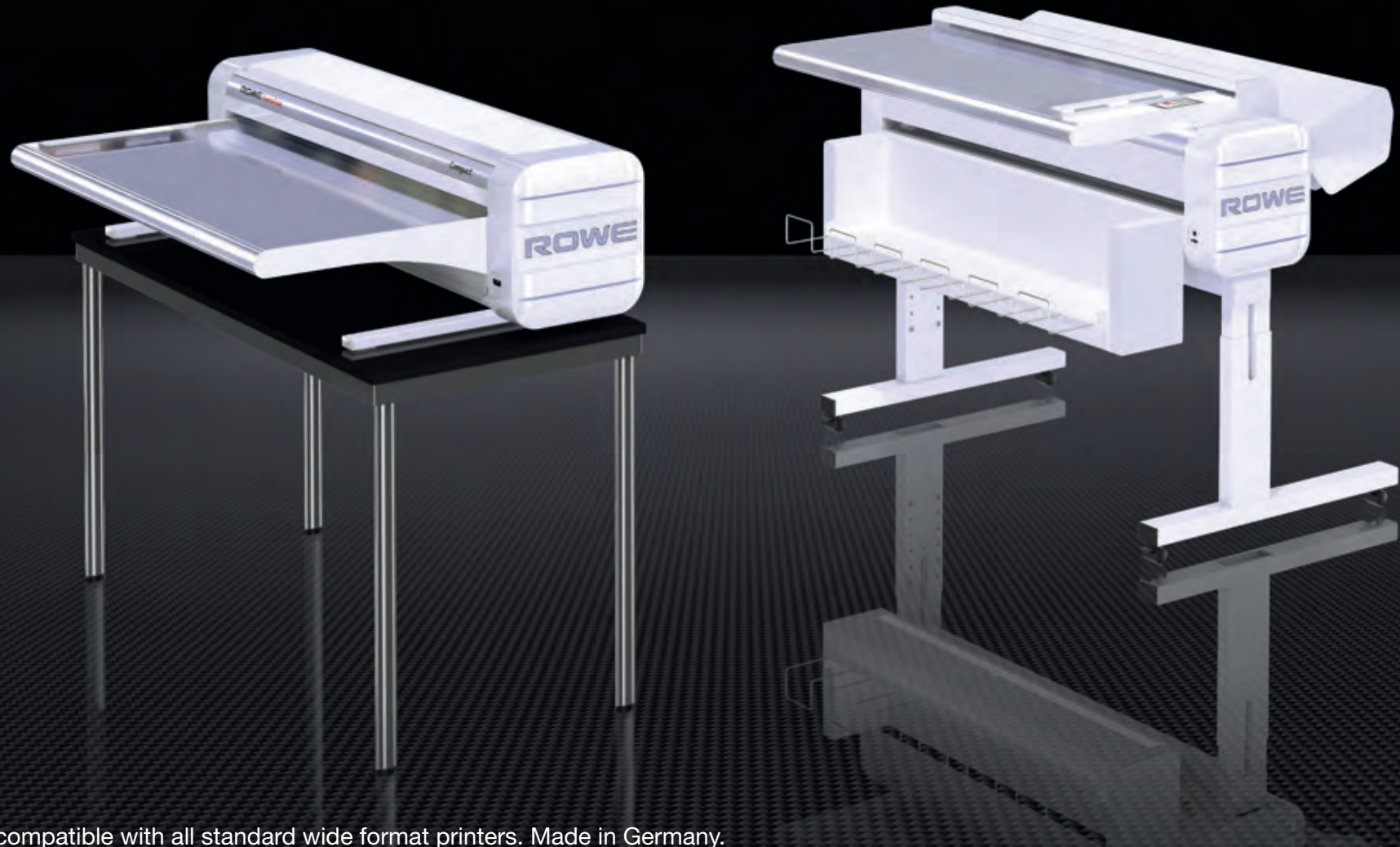


# The new **ROWE** VarioFold Compact

Revolutionary. Patented. Futureproof.



WIDE FORMAT: ROWE.



Online compatible with all standard wide format printers. Made in Germany.

# > THE NEW ROWE VarioFold Compact.

Patented: offline becomes online.

More than half of all users of offline folding systems want to be able to fold online in the medium term. Up to now this has meant expensive re-construction of the folding system. With VarioFold Compact you can spare yourself this, thanks to its modular construction. This is the first system worldwide that can be extended from offline to online with minimum outlay, even after it has already been put into operation. This guarantees you maximum security for your investment.

ROWE even goes a step further: whether it is the height adjustment that's easy on your back, the whisper quiet folding, the patented endless folding or the user-specific folding programs – the VarioFold Compact can be extended at any time. This means it's the first folding system worldwide that grows with its user.

A real innovation 'Made in Germany' – Made by ROWE.

Experience the fascination of ROWE. Simply make an appointment with the authorized dealer in your area.

## > CONTENT.

Editorial .....	2 - 3	Productivity.....	10 - 11
Modularity.....	4 - 5	Ergonomics .....	12 - 13
Offline .....	6	Technical Data Base Unit .....	14
Online .....	7	Technical Data Accessories.....	15
Quality .....	8 - 9		

Illustrations, descriptions and software shown in this brochure contain additional equipment, which is not part of the standard scope of supply.



### Offline advantages

- > height adjustable Floorstand
- > extremely compact due to Front Delivery Tray
- > patented: extendable to online folding system at any time
- > quiet folding like never before



**Online advantages**

- › compatible with all standard wide format printers
- › inexpensive, like a conventional offline folding machine
- › 2 folding systems in one thanks to the PREMIUM MANUAL FEED
- › quiet folding like never before

# ➤ MODULAR CONSTRUCTION.



A variety of modules enables configuration of the VarioFold Compact to meet your specific requirements. Worldwide unique and patented: it can be extended from offline to online with minimum outlay, even after it has already been put into operation. Folding online, for the same price as a standard offline folding machine.

## For online and offline configuration

- 1. Base Unit with future oriented design.** Basic module of the VarioFold Compact with aluminum spaceframe construction. This makes the Base Unit extremely light and torsion resistant.
- 2. Height adjustable Floorstand with Front Delivery Tray.** The Floorstand is height adjustable in 40 mm (1.57") steps which makes it easy on the back of the user. The Front Delivery Tray has space for approx. 5 folded A0 (D size) documents.
- 3. Offline Table.** High quality non-stick coated paper feed table made of anodized aluminum with excellent sliding properties.
- 4. ROWE FOLD APP LT.** App for easy counter readings: folded documents, foldings and linear feet. The App also provides you with 12 pre-installed folding programs.
- 5. ROWE FOLD APP SE.** Includes the ROWE FOLD APP LT. With this App an unlimited number of user specific folding programs with packet widths for fan folding of 180 mm to 305 mm (7.09" to 12.01") and for cross folding of 210 mm to 305 mm (8.27" to 12.01") can be defined. In addition, with the ROWE FOLD APP SE fan folding of up to 4 m (13.12 ft) and cross folding of up to 2.5 m (8.2 ft) is possible. With the App 'Favorite' Keys can also be allocated.
- 6. ROWE FOLD APP PRO.** Includes the ROWE FOLD APP SE. With this App special folding programs can be generated e.g. for maps or letter heads. Packet widths for fan folding of 90 mm to 420 mm (3.54" to 16.54") and for cross folding of 180 mm to 420 mm (7.09" to 16.54") are possible.
- 7. Rear Delivery Tray.** Makes unsupervised folding possible and has space for approx. 25 folded documents or overlength documents up to approx. 30 m (98.43 ft). The output tray can be pulled out to

accommodate packet widths up to 320 mm (12.6").

**8. Motorised High Volume Tray.** Motorised delivery tray which lowers automatically. Makes unsupervised folding possible and has space for approx. 75 folded documents or overlength documents up to approx. 150 m (492.13 ft). The output tray can be pulled out to accommodate packet widths up to 320 mm (12.6").

**9. Endless Folding Kit 30 und Endless Folding Kit UNLIMITED.** Includes the ROWE FOLD APP SE and additionally the patented endless folding without unfolded pages inbetween needing no further manual folding – either up to 30 m (98.43 ft) folding length or unlimited. The folded documents are completely finished and ready for further processing.

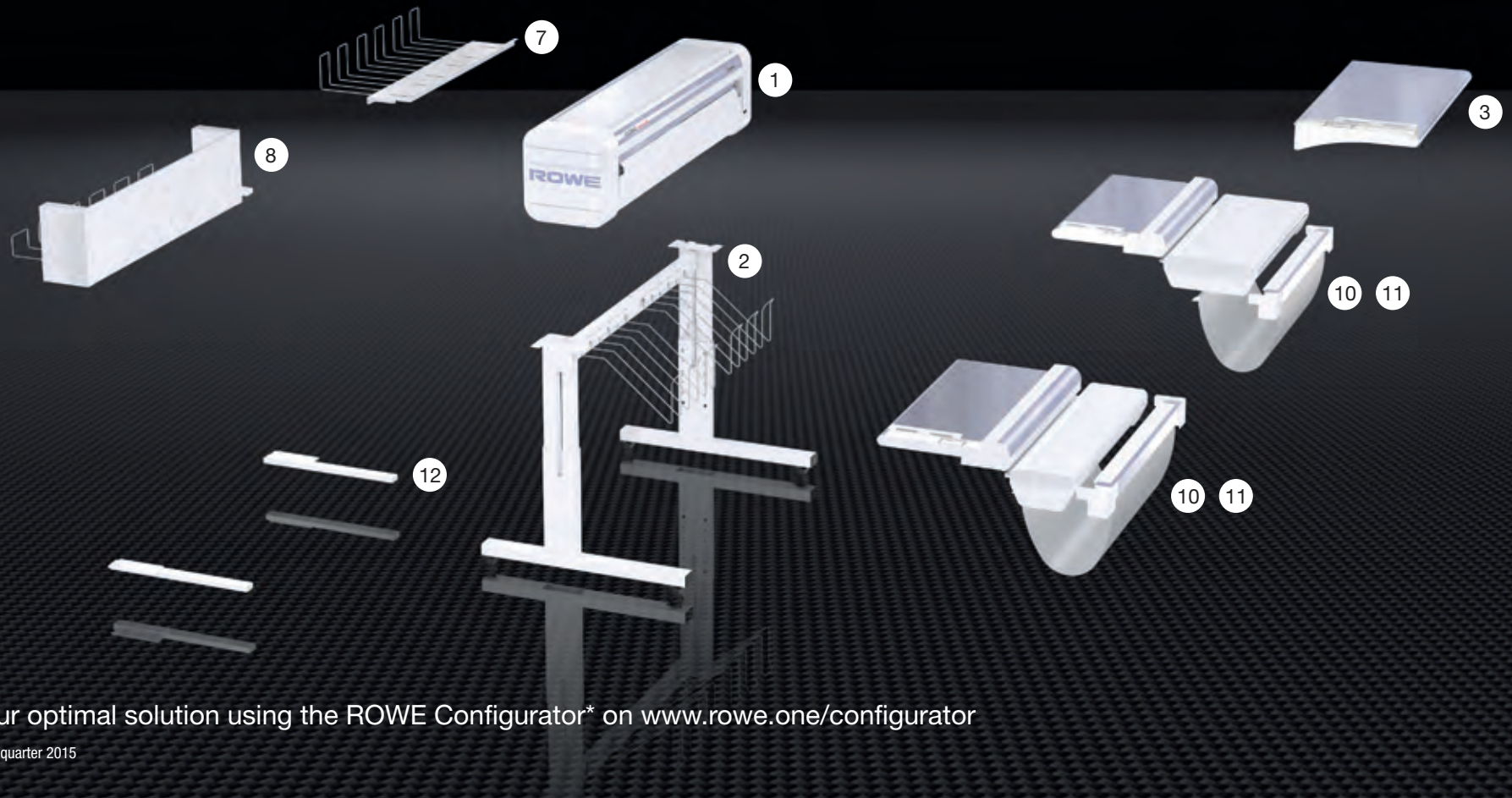
## Only for online configuration

**10. Online Bridge 1 and 2 with PREMIUM MANUAL FEED – now you fold on and offline in one system.** Using Online Bridge 1 and 2 VarioFold Compact can be connected to all standard large format printers. The PREMIUM MANUAL FEED is very sophisticated: meaning the VarioFold Compact remains a complete offline folding system even in the online configuration. Your advantage: documents from other large format printers are also folded at your convenience.

**11. Connection Kit.** Mechanical and electrical interface including software to control the VarioFold Compact in online operation.

## Only for offline configuration

**12. Tablestand.** Space saving stand for operation of the VarioFold Compact on a suitable table. The VarioFold Compact requires minimum space.



Define your optimal solution using the ROWE Configurator\* on [www.rowe.one/configurator](http://www.rowe.one/configurator)

\* Available from 4th quarter 2015

# > OFFLINE SAVES SPACE LIKE NO OTHER.

The VarioFold Compact is the user-friendly folding system that operates efficiently and is operated intuitively. The folding quality is the benchmark.



## Perfect for all different heights

VarioFold Compact in the offline configuration is the compact system for professional folding. It is ideal for all folding volumes. Space requirement is, thanks to the Front Delivery Tray, minimal. Extremely ergonomic: the height adjustment means the VarioFold Compact adjusts exactly to your height – standard with all Floorstands.



## Compact space saver

If you've had to do without a folding system in the past due to space restrictions ROWE now offers the best solution: the VarioFold Compact with Tablestand – an extremely space saving stand. Simply put the VarioFold Compact on a table e.g. the one previously used for manual folding. Thanks to its being extremely compact, this system is ideally suited to users who want automatic folding in a limited space.

# ➤ REVOLUTIONARY: ONLINE FOLDING IS FINANCIALLY VIABLE FOR EVERYONE, THANKS TO ROWE.

Modular construction means the VarioFold Compact isn't more expensive than normal offline folding machines.

## **Excellent integration**

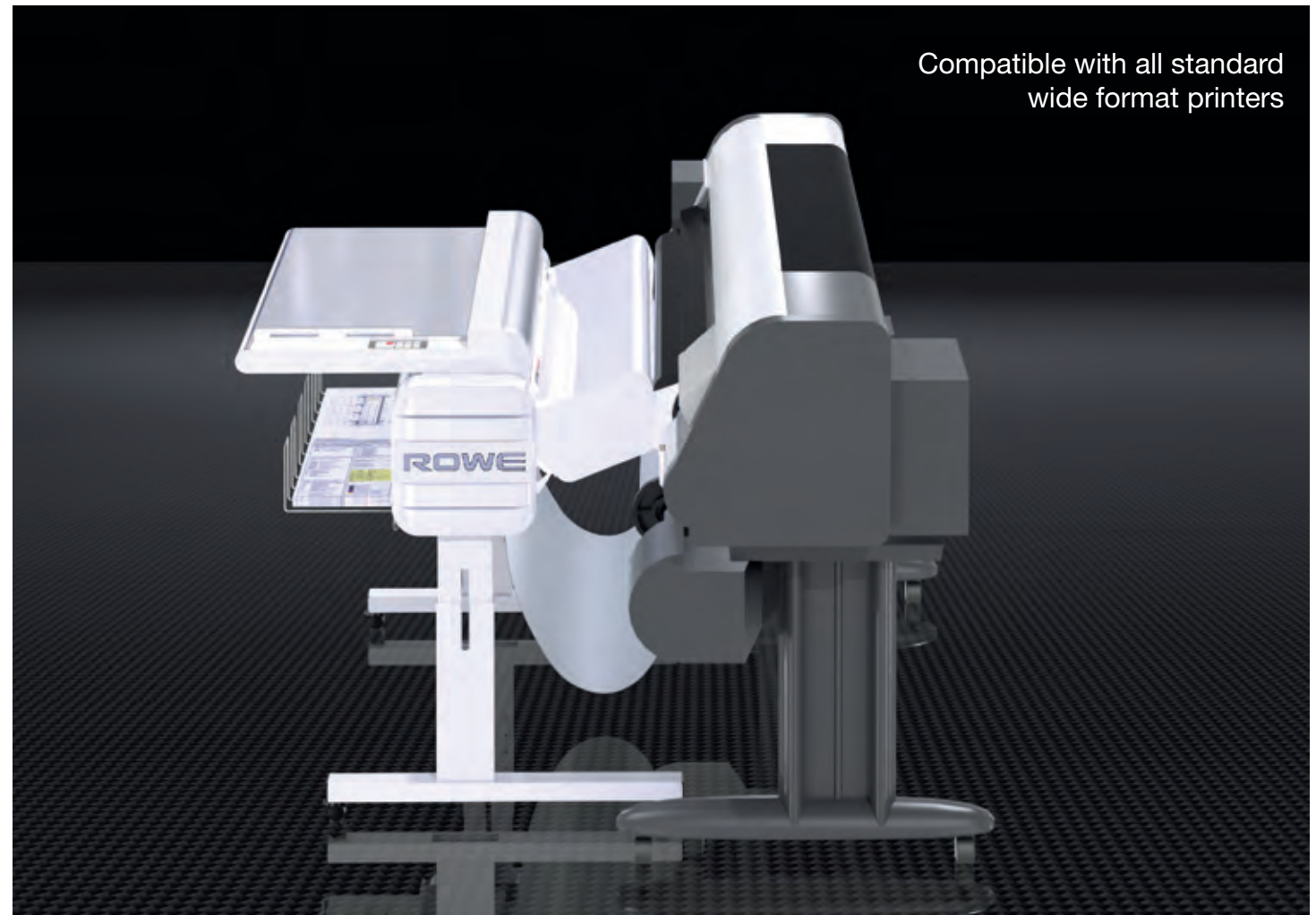
Using Online Bridge 1 or Online Bridge 2 the VarioFold Compact can be connected to any standard wide format printer. VarioFold Compact online operation can be controlled with the Connection Kit.

## **Two folding systems in one thanks to PREMIUM MANUAL FEED**

Even in the online configuration the VarioFold Compact remains a complete offline folding system. Clever: due to the PREMIUM MANUAL FEED documents from other wide format printers are also conveniently folded.

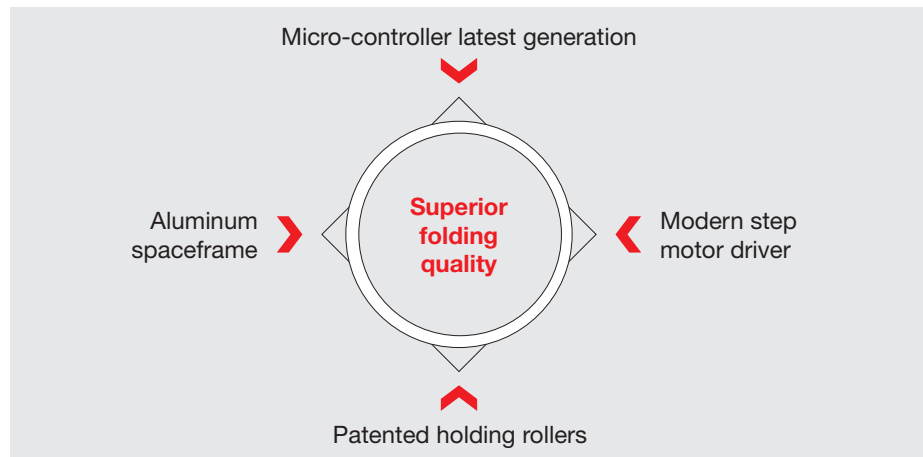
## **Suitable for small spaces**

The VarioFold Compact means limited space availability is no argument against online folding systems. This is because the VarioFold Compact requires minimal space.



# ➤ SUPERIOR FOLDING PRECISION AND MAXIMUM SECURITY FOR YOUR INVESTMENT.

ROWE is the benchmark for quality thanks to 60 years of experience and specialization in wide format.



## **Precise folding**

Maximum folding quality - precise with sharp edges – is guaranteed by the sophisticated interaction of micro-controllers and step motor drivers of the latest generation, patented holding rollers and the torsion resistant aluminum spaceframe construction.



## **ROWE: a once in a lifetime acquisition**

ROWE stands for durability. The new VarioFold Compact carries on this tradition. High-tech materials like the aluminum spaceframe and the manufacture 100 % 'Made in Germany' make the VarioFold Compact a once-in-a-lifetime acquisition. Simply futureproof - typically ROWE.



### **60 years of experience**

Perfection requires specialization – that’s the ROWE creed. ROWE has focused on wide format for more than 60 years. As user of our products you are profiting from 60 years of daily research and continuous development of our technologies. We can offer you mature solutions which can be smoothly integrated into your infrastructure thus creating a perfect workflow.

### **Patented modularity**

During the design of the VarioFold Compact ROWE kept strictly to the principles of modular construction. This ensures the new folding system is a very safe investment: when demand increases simply extend the VarioFold Compact by an additional module – up to and including an online folding system.

# ➤ PRODUCTIVITY. YOUR PERFORMANCE IS OUR MISSION.

As specialist in wide format ROWE has an in-depth knowledge of your expectations concerning smooth processes. With this in mind we develop technologies to meet these expectations exactly. The result: impressive efficiency in first class ROWE quality.

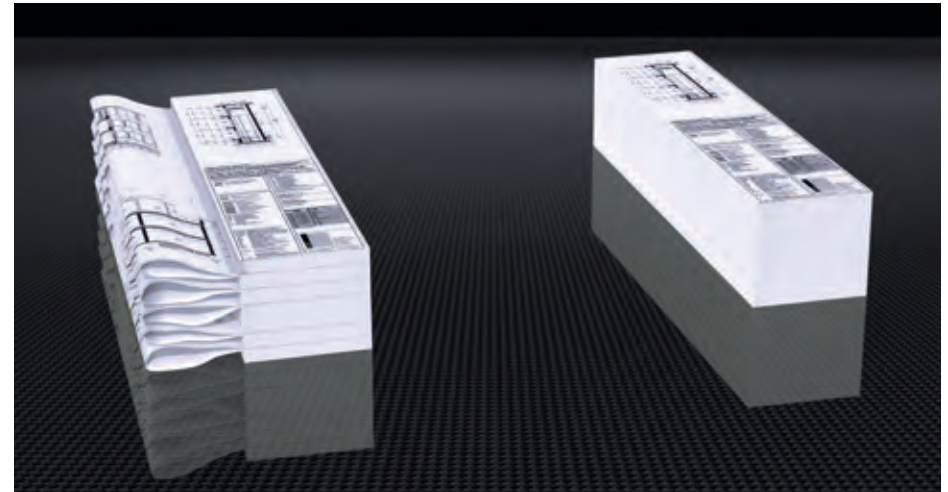
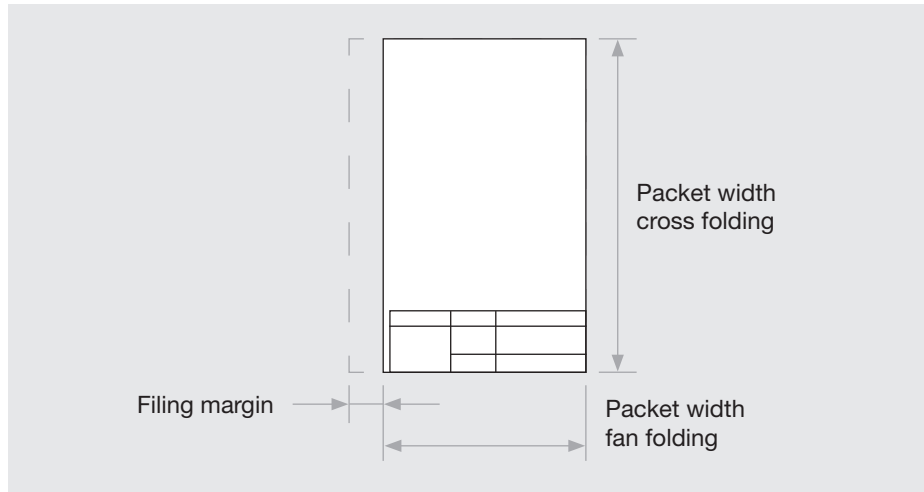


## **Unsupervised folding**

You don't need to waste any more time standing next to the folding system. All output trays of the VarioFold Compact are monitored and report their status.

## **Folding speed of 20 m/min (65.62 ft/min)**

With a folding speed of 20 m/min (65.62 ft/min) even high volumes are processed quickly. Online the VarioFold Compact adjusts to the output speed of your wide format printer. Multispeed and shortgap technologies ensure minimum document intervals and maximum productivity.



**Unlimited number of folding programs**

Using the FOLD APP SE and the FOLD APP PRO an unlimited number of folding programs can be defined. Adjustments in 1 mm (0.04") steps are possible.

**Filing margin**

0 - 35 mm (0" - 1.38"): ROWE FOLD APP SE/PRO

**Packet width fan folding**

180 - 305 mm (7.09" - 12.01"): ROWE FOLD APP SE

90 - 420 mm (3.54" - 16.54"): ROWE FOLD APP PRO

**Packet width cross folding**

210 - 305 mm (8.27" - 12.01"): ROWE FOLD APP SE

180 - 420 mm (7.09" - 16.54"): ROWE FOLD APP PRO

**Patented endless folding without interruption**

ROWE, at the forefront of technology, makes it possible: With the Endless Folding Kit 30 and the Endless Folding Kit UNLIMITED you can fold up to 30 m (98.43 ft) or endlessly without unfolded pages inbetween. Manual re-folding is history.

# ➤ ERGONOMIC OF COURSE.

The ergonomics of the VarioFold Compact are highly sophisticated and set standards. Experience how ROWE supports your work as a matter of course.



### **1. Optimal handling of paper**

High quality non-stick coated feed table made of anodized aluminum guarantees perfect paper feed and easy operation.

### **2. Quiet folding**

You hardly notice the VarioFold Compact because it operates whisper quiet. As a result of the technologically advanced interaction of the micro-controllers with state-of-the-art step motors the VarioFold Compact is ideal for integration into office environments.

### **3. The height-adjustable Floorstand is easy on your back**

The operating height can be adjusted optimally to suit your height from 810 mm - 1010 mm (31.89" to 39.76") in 40 mm (1.57") steps. Now you can work comfortably and it's easy on your back.

### **4. Easy access to individual folding programs**

As well as 12 pre-installed programs the ROWE FOLD APP SE and the ROWE FOLD APP PRO allow self-generation of an unlimited number of individual folding programs.

### **5. 'Favorite' Keys**

Simply save an individual folding program as 'Favorite'.

### **6. Three different output possibilities for finished documents**

ROWE has the ideal solution for any space and folding volume:

- a.) Front Delivery Tray
- b.) Rear Delivery Tray
- c.) Motorised High Volume Tray



### **A blessing for the intervertebral discs**

85 percent of the populations of the industrialized nations suffer at some time in their lives, from back pain, according to the Robert Koch Institute. People working for many years in a stooped position are particularly prone to disorders of the vertebral column. With the height adjustable Floorstand of the VarioFold Compact you are effectively preventing this happening: for the first time, in the case of a folding system, it's possible for the operator to adjust to his optimal height. This means strain on your back is eliminated – your discs will thank you.

# TECHNICAL DATA. BASE UNIT.<sup>1</sup>

FEATURES	DESCRIPTION	VarioFold Compact
Modular construction	Worldwide first completely modular folding system, <b>can be upgraded on-site to an online solution at any time</b>	✓
High-quality aluminum spaceframe construction	Extremely stable chassis in aluminum spaceframe construction, extremely torsion resistant for maximum folding precision and durability	✓
Quiet folding	Optimal for integration into office environments thanks to state-of-the-art step motor technology Emission: not measurable in energy saving mode, in operating mode 50 db (A) in acc. with ISO 7779	✓ ✓
Fully automatic clearance of paper	Easy clearance of paper from the folding space at the push of a button	✓
Media width	210 mm - 960 mm (8.27" - 37.8")	✓
Media types / weights	Normal and inkjet paper, 60 - 120 g/m <sup>2</sup> (paper weight: 16-32 lb)	✓
Fan Folding	Up to 2500 mm (98.43")	✓
	Up to 4000 mm (157.48"): see ROWE FOLD APP SE	+ / 0
	Up to <b>30 m (98.43 ft)</b> or <b>unlimited</b> : see Endless Folding Kit 30/UNLIMITED (patented)	+ / 0
Cross folding	Up to 1500 mm ( 59.06") for DIN folding	✓
	Up to 2500 mm (98.43") for DIN folding: see ROWE FOLD APP SE	+ / 0
Standard folding programs	Fan folding: 190 mm/210 mm (7.48"/8.27"), 185 mm/210 mm, (7.28"/8.27"), 180 mm/210 mm ( 7.09"/8.27"), 198 mm (7.8"), 210 mm (8.27") and 210 mm (8.27") packet folding	✓
	Cross folding: 297 mm (11.69") and 305 mm (12.01")	✓
Special folding programs	Packet width fan folding: 180 mm - 305 mm (7.09" - 12.01"), freely adjustable in steps of 1 mm (0.04"): see ROWE FOLD APP SE	+ / 0
	Packet width fan folding: 90 mm - 420 mm (3.54" - 16.54"), freely adjustable in steps of 1 mm (0.04"): see ROWE FOLD APP PRO	+ / 0
	Packet width cross folding: 210 mm - 305 mm (8.27" - 12.01"), freely adjustable in steps of 1 mm (0.04"): see ROWE FOLD APP SE	+ / 0
	Packet width cross folding: 180 mm - 420 mm (7.09" - 16.54"), freely adjustable in steps of 1 mm (0.04"): see ROWE FOLD APP PRO	+ / 0
Filing margin	0 mm (0"), 20 mm (0.79"), 25 mm (0.98") and 30 mm (1.18")	✓
	0 mm - 35 mm (0" - 1.38"), freely adjustable in steps of 1 mm (0.04"): see ROWE FOLD APP SE	+ / 0
ROWE FOLD APP LT <sup>2</sup>	App for easy counter reading: folded documents, foldings and linear feet. Includes 12 pre-installed standard folding programs	✓
USB interface	For ROWE FOLD APP LT/SE/PRO, including USB cable	✓
Folding standards	DIN 824 A, B, C (A4, A3, A2, A1, A0), AFNOR similar (A4, A3, A2, A1, A0), ANSI (A, B, C, D, E), ARCH (A, B, C, D, E), Ericsson (A4, A3, A2, A1, A0), French	✓
Folding speed	20 m/min (65.62 ft/min) in offline operation, up to 20 m/min (65.62 ft/min) in online operation with multispeed and short gap technology for automatic adjustment of folding speed to the output system	✓
Custom Speed <sup>2</sup>	Reduction of folding speed in offline operation for special requirements. Included in the ROWE FOLD APP LT	✓
Power connection	100 - 240 V, 50/60 Hz	✓
Power consumption	Energy saving mode: < 0.8 Watt, operating mode: 58 Watt	✓
Dimension and Weight	Dimension and weight are dependent on your individual configuration. All details can be found in the configurator at <a href="http://www.rowe.one/configurator">www.rowe.one/configurator</a> *	✓
Interfaces	RS 232 serial/CAN/USB	✓
Certificates	RoHS, CE, UL, cUL, CB, FCC Part 15 Class B, EAC	✓

<sup>1</sup> All information - unless otherwise stated - applies to standard paper 80 g/m<sup>2</sup> (paper weight: 20 lb)

<sup>2</sup> Installation/configuration/counter reading via standard USB interface

<sup>3</sup> Base unit required for all combinations

<sup>4</sup> Minimum requirements table: width x depth: 1300 mm x 600 mm (51.18" x 23.62") and a load capacity of 90 kg (198,42 lbs) plus the weight of the folding system and all modules selected

<sup>5</sup> For offline configurations the output of folded documents with filing margin is to the front delivery tray.

\* Available from 4th quarter 2015

KEY: ✓ = Standard + / 0 = Can be upgraded on site

Made in Germany.



# TECHNICAL DATA. ACCESSORIES.

MODUL	CHARACTERISTICS <sup>3</sup>	DESCRIPTION	VarioFold Compact
Offline Table	Technology	High-quality non-stick coated feed table made of anodized aluminum, in combination with Floorstand 810 mm to 1010 mm (31.89" to 39.76"), height adjustable in 40 mm (1.57") steps	
	Folding with printed side up	Makes ergonomic handling of the documents possible – see what's being folded	
	Operating panel	6 programs for fan folding and 2 programs for cross folding, additional unlimited freely selectable folding programs via ROWE FOLD APP SE/PRO	+ / 0
	'Favorite' Keys	Free allocation of 2 'Favorite' Keys on the operating panel for selection of individual folding programs (4 'Favorites' possible)	
	Combinations	Floorstand or Tablestand required	
Tablestand	Technology	Space saving stand for operation of the VarioFold Compact on a suitable table <sup>4</sup>	+ / 0
Floorstand, HEIGHT ADJUSTMENT (HA)	Technology	Floorstand, height adjustable from 810 mm to 1010 mm (31.89" to 39.76") in 40 mm (1.57") steps, easy on your back, for optimal operator ergonomics	+ / 0
	Front Delivery Tray	Space saving front output tray for approx. 5 A0 (D size) documents	
Online Bridge 1 and Online Bridge 2	Technology	Online Bridge 1: short, with multispeed and shortgap technology for shortest document intervals. List of LED and inkjet printers supported available on request Online Bridge 2: long, with multispeed and shortgap technology for shortest document intervals. List of LED and inkjet printers supported available on request	
	PREMIUM MANUAL FEED	High-quality non-stick coated feed table made of anodized aluminum for manual fan folding and cross folding. Operating panel and 'Favorite' as in Offline Table	+ / 0
	Unfolded documents	Separate collection level	
Connection Kit	Combinations	Floorstand, Connection Kit, Rear Delivery Tray or Motorised High Volume Tray required	
	Technology	Mechanical and electrical interface including software to control the ROWE VarioFold Compact in online operation. List of LED and inkjet printers supported available on request	+ / 0
Rear Delivery Tray	Combinations	Online Bridge 1 or Online Bridge 2 required	
	Technology	Rear output tray for fan and cross folded documents <sup>5</sup>	
	Special formats	Extendable for documents with a packet width of 320 mm (12.6")	+ / 0
	Capacity	Approx. <b>25</b> folded documents or overlength documents up to approx. <b>30 m (98.43 ft)</b>	
Motorised High Volume Tray	Combinations	Floorstand required	
	Technology	Electrically operated rear output tray for fan and cross folded documents, lowers automatically <sup>5</sup>	
	Special formats	Extendable for documents with a packet width of up to 320 mm (12.6")	+ / 0
	Capacity	Approx. <b>75</b> folded documents or overlength documents up to approx. <b>150 m (492.13 ft)</b>	
Endless Folding Kit 30 <sup>2</sup>	Combinations	Floorstand required	
	Technology	Includes ROWE FOLD APP SE and additionally the patented endless folding without unfolded pages inbetween	
	Fan folding	Up to <b>30 m (98.43 ft)</b>	+ / 0
Endless Folding Kit UNLIMITED <sup>2</sup>	Combinations	Rear Delivery Tray or Motorised High Volume Tray required	
	Technology	Includes ROWE FOLD APP SE and additionally the patented endless folding without unfolded pages inbetween	
	Fan folding	<b>Endless</b> , not limited by the folding system	+ / 0
ROWE FOLD APP SE <sup>2</sup>	Combinations	Rear Delivery Tray or Motorised High Volume Tray required	
	Technology	Includes ROWE FOLD APP LT and additionally the generation of user specific folding programs (unlimited), individual allocation of the 'Favorite' Keys with up to 4 'Favorites', <b>real AFNOR folding standard</b>	
	Fan folding	Up to 4000 mm (157.48")	+ / 0
	Cross folding	Up to 2500 mm (98.43") with DIN folding	
	Packet width fan folding	180 mm - 305 mm (7.09" - 12.01"), freely adjustable in steps of 1 mm (0.04")	
ROWE FOLD APP PRO <sup>2</sup>	Packet width cross folding	210 mm - 305 mm (8.27" - 12.01"), freely adjustable in steps of 1 mm (0.04")	
	Technology	Includes ROWE FOLD APP SE and additionally the generation of special folding programs (unlimited)	
	Fan folding	90 mm - 420 mm (3.54" - 16.54"), freely adjustable in steps of 1 mm (0.04"), e.g. for maps or letter format	+ / 0
Cross folding		180 mm - 420 mm (7.09" - 16.54"), freely adjustable in steps of 1 mm (0.04")	



WIDE FORMAT: ROWE.

# WIDE FORMAT: ROWE.

ROWE is the specialist for wide format from Germany, represented in 90 countries. Perfectly coordinated systems for scanning, printing and finishing as well as comprehensive software solutions for professional document workflow are developed and manufactured by ROWE. ROWE has the leading edge worldwide as the specialist and technological leader.

Made in Germany.

